

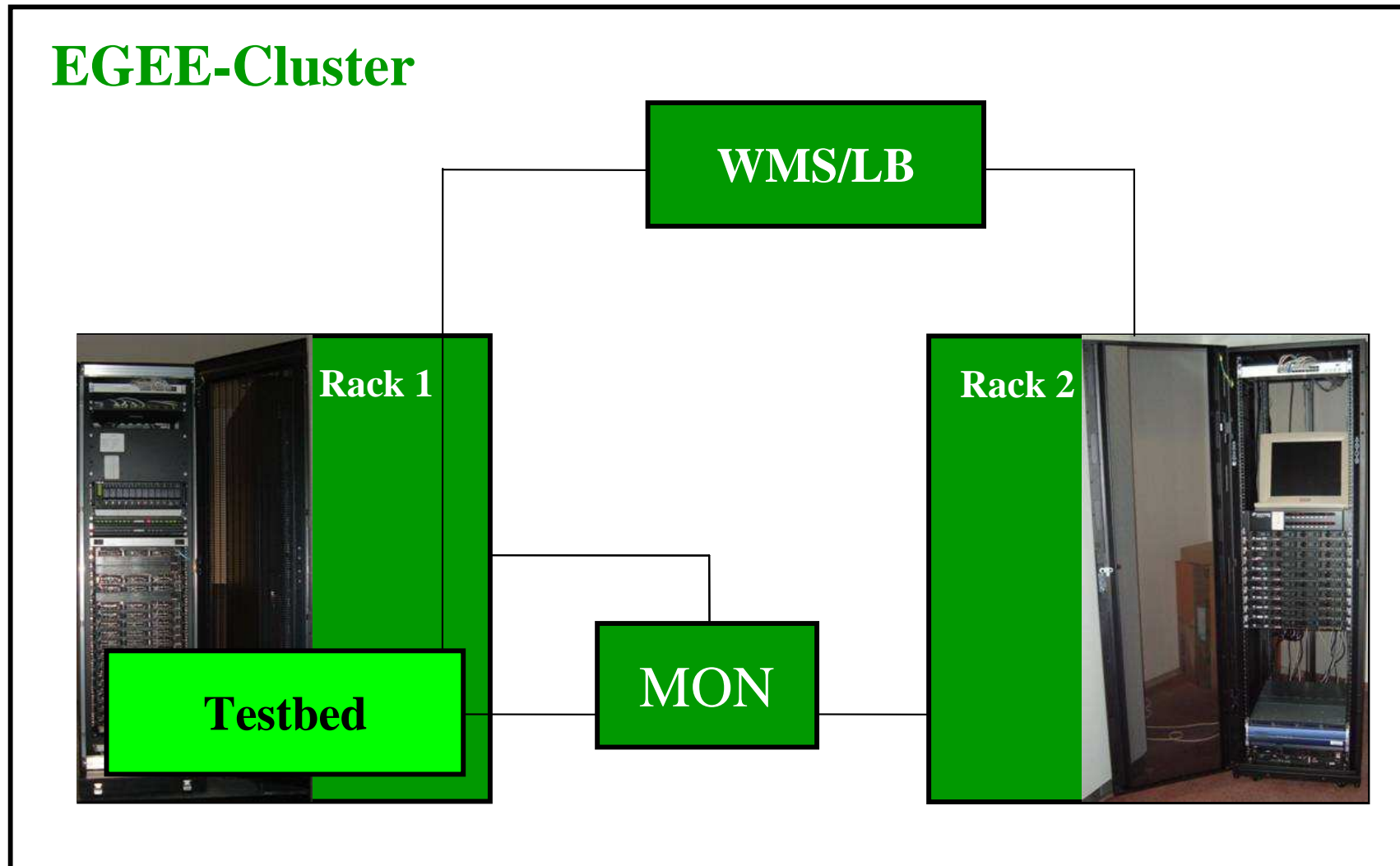
Site Report HEPHY-UIBK

Austrian federated Tier 2 meeting

Content

- Overview HEPHY-UIBK
- Site Services
- Hardware
- Power and Cooling
- Planned Projects

Overview HEPHY-UIBK



Facts

WNs: 26 (76 Cores) without testbed

CEs: 3

UIs: 2

SEs: 2x DPM and 1 classic SE

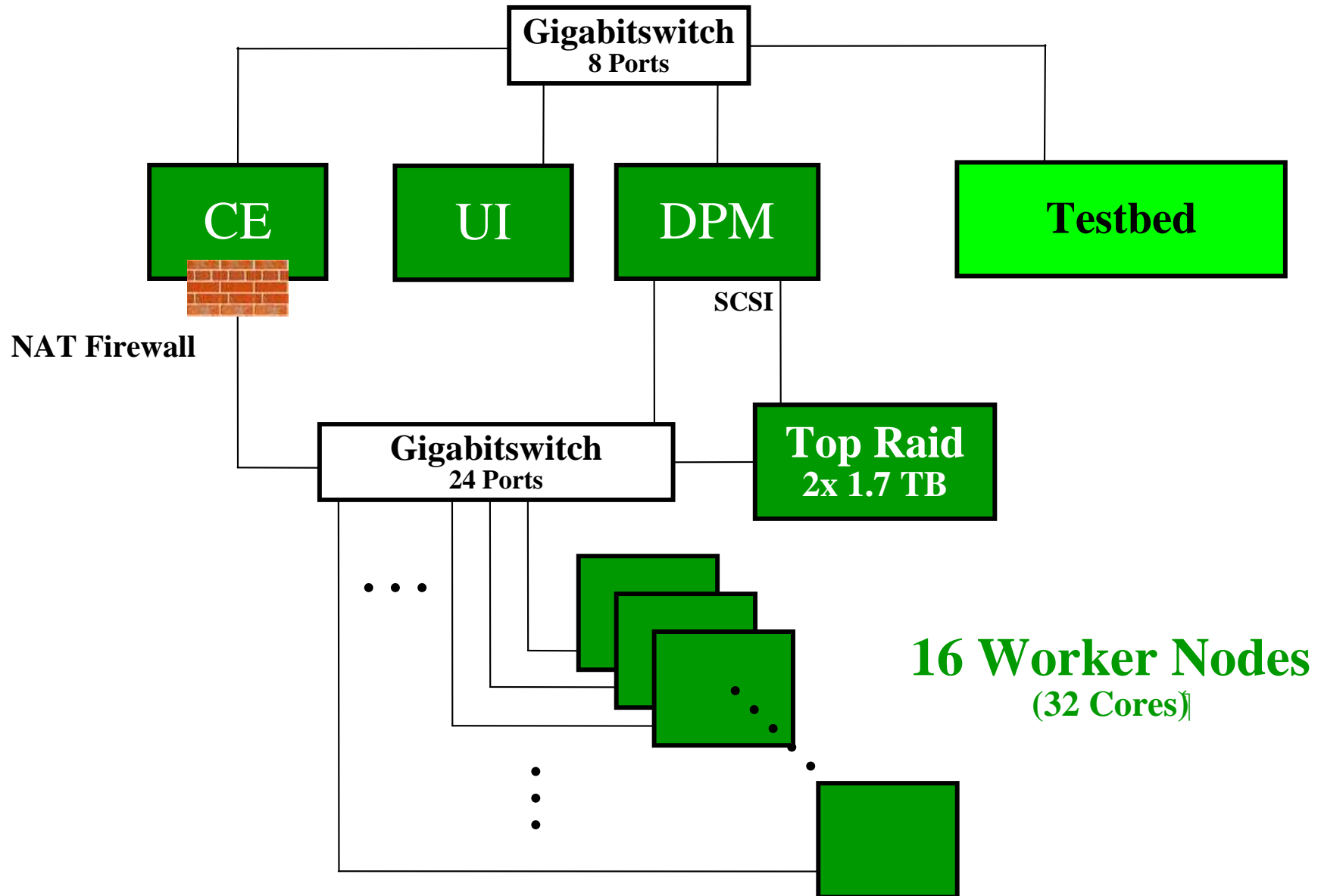
Storage: ~16 TB on two Raids

WMS/LB: 1

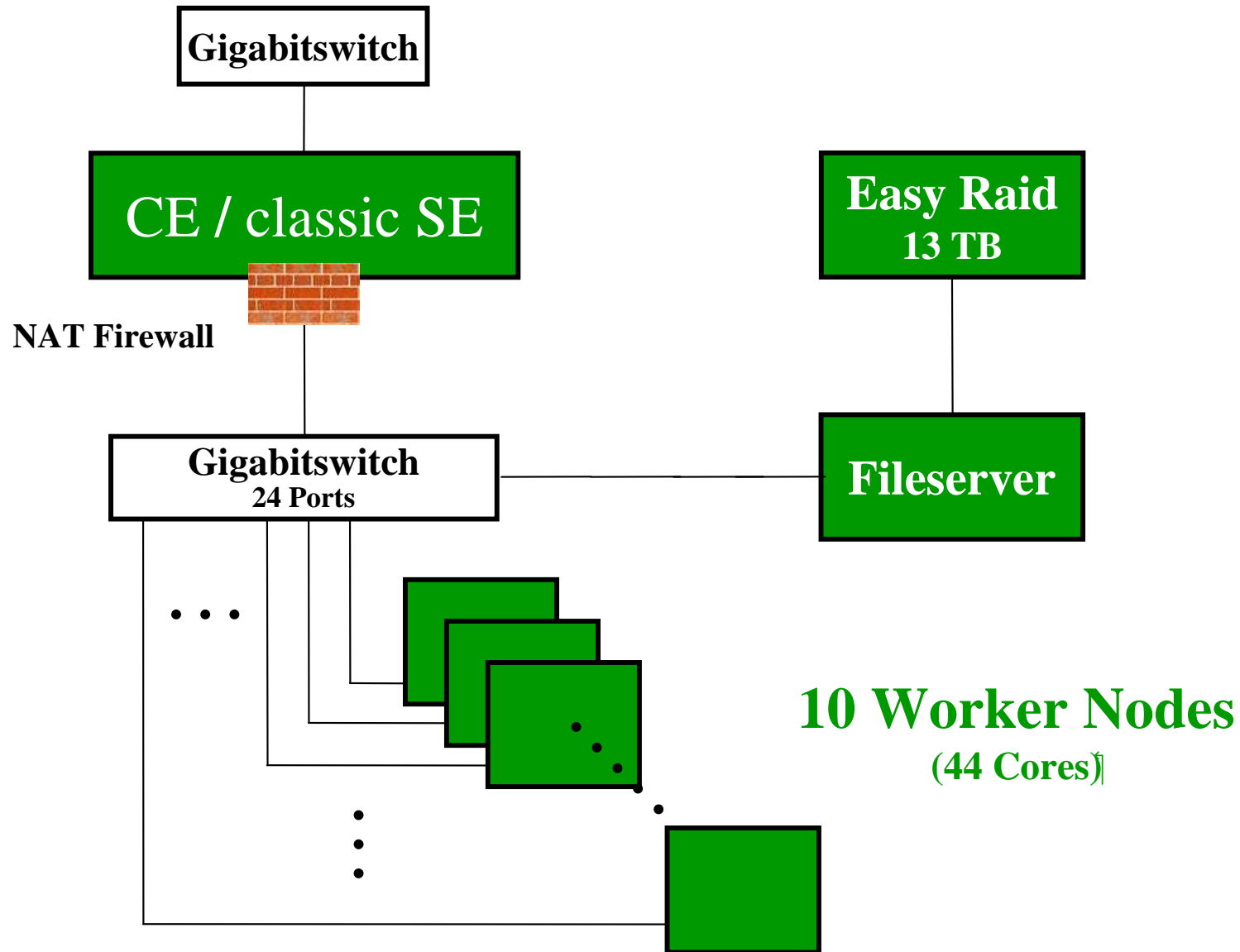
MON: 1

VOs: atlas, ops, dteam, bphys, uibktest

Rack 1



Rack 2



Content

- Overview HEPHY-UIBK
- Site Services
- Hardware
- Power and Cooling
- Planned Projects

Site Services

- User Interface (UI)
- Computing Element (lcg CE)
- Storage Element (classic SE)
- Storage Element (DPM)
- Information Service (BDII)
- Resource Broker (WMS/LB)
- Monitoring (MON)

gLite 3.0
Scientific Linux 3.0.8

- User Interface (UI)
- Computing Element (lcg CE)
- Storage Element (DPM)
- Worker Node (WN)

gLite 3.1
Scientific Linux 4.5

Content

- Overview HEPHY-UIBK
- Site Services
- **Hardware**
- Power and Cooling
- Planned Projects

Hardware

WN:

16x Intel Xeon (32 Cores), 3.0 GHz, 1 GB RAM per core , 80 GB SATA

9x Intel Xeon (36 Cores), 3.0 GHz, 1.5 GB RAM per core , 80 GB SATA

1x Intel Xeon (8 Cores), 2.33 GHz, 1.5 GB RAM per core , 80 GB SATA

CE:

Intel Xeon (2 CPUs), 2.66 GHz, 2 GB RAM , 80 GB IDE

AMD Opteron (4 Cores), 2.6 GHz, 4 GB RAM, 80 GB SATA

Hardware (2)

SE:

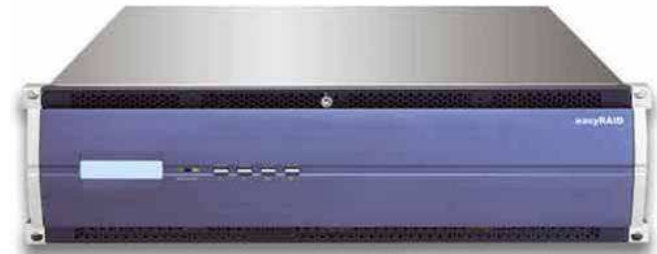
Intel Xeon (2 CPUs), 2.66 GHz, 2 GB RAM

AMD Opteron (4 Cores), 2.6 GHz, 4 GB RAM

Storage:

TopRaid: 2x 1.7 TB, Raid 5

EasyRaid: 13TB (16x 1 TB), Raid 6



Content

- Overview HEPHY-UIBK
- Site Services
- Hardware
- **Power and Cooling**
- Planned Projects

Power and Cooling

Wattage EGEE-Cluster:

- Rack 1: max. 6.5 kW
- Rack 2: max. 4 kW

Used cooling methods:

- air cooling
- water cooling (CoolAdd)

CoolAdd:

- cooling Capacity 8 kW
- wattage: max. 725 W
- weight: ~45 kg



Content

- Overview HEPHY-UIBK
- Site Services
- Hardware
- Power and Cooling
- **Planned Projects**

Planned Projects

- Installation of MON and WMS/LB on SL4
- Migration of the classic SE to DPM
- Build up UI, MON and WMS/LB as virtual machines with XEN
- Migration of DPM from SL3 to SL4